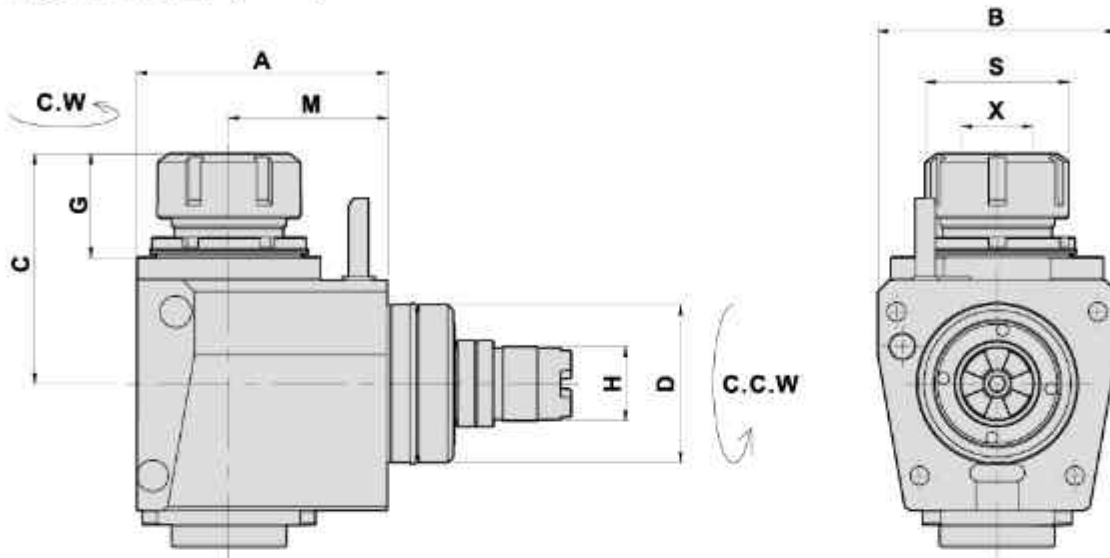


## RADIAL MILLING AND DRILLING HEAD

TYPE WASINO A12

### 徑向鑽銑刀座 (90°)



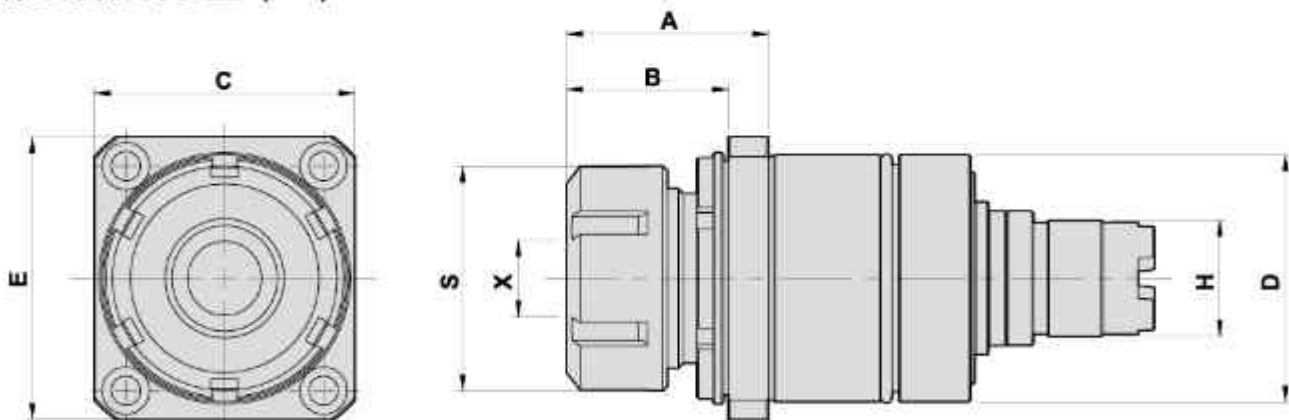
- To be used for collet DIN 6499
- External coolant supply
- Collet is not included

#### DIMENSIONS

Models	D	X Capacity	S	Maximum R.P.M.	A	B	C	G	M	H	Code No.	Order No.	(Kg) Weight
A-12	55	1-13 ER20	35	5000	87	83	78	34	55	25.8	255DCA-000	DF55WA-20-55	4.3
	55	2-20 ER32	50	5000	87	83	80	36	55	25.8	255DCB-000	DF55WA-32-55	4.4

## AXIAL MILLING AND DRILLING HEAD

### 軸向鑽銑刀座 (0°)



- To be used for collet DIN 6499
- Collet is not included

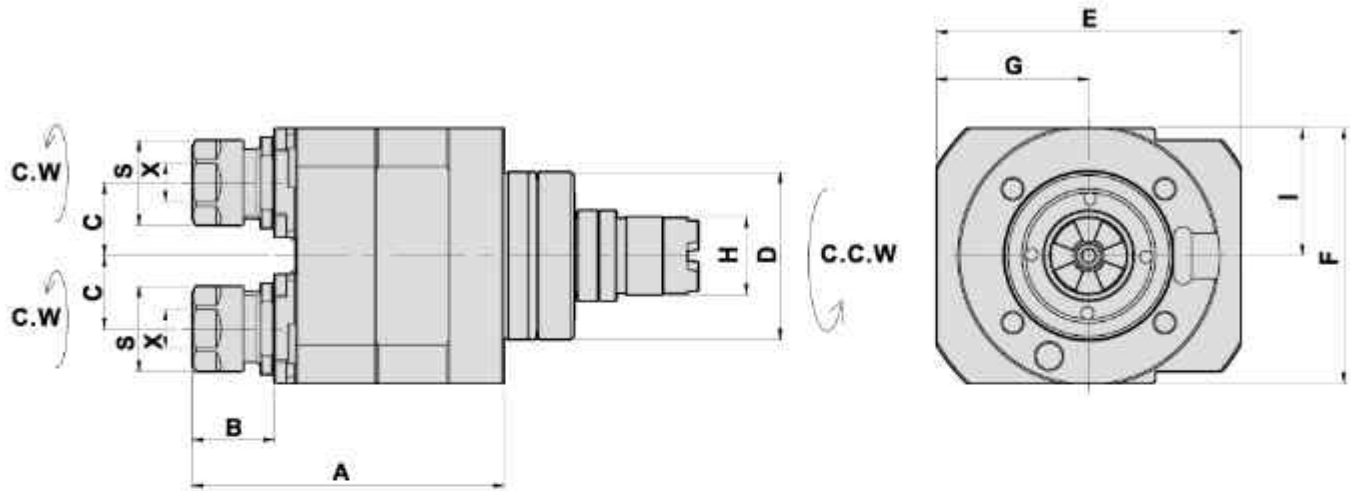
#### DIMENSIONS

Models	D	X Capacity	S	Maximum R.P.M.	A	B	C	E	H	Code No.	Order No.	(Kg) Weight
A-12	55	1-13 ER20	35	6000	41	32	58	63	25.8	155DCA-000	DA55WA-ER20	1.6
	55	2-20 ER32	50	6000	45	36	58	63	25.8	155DCB-000	DA55WA-ER32	1.4

## AXIAL MILLING AND DRILLING HEAD

TYPE WASINO A12

### 軸向鑽銑刀座 (0°)



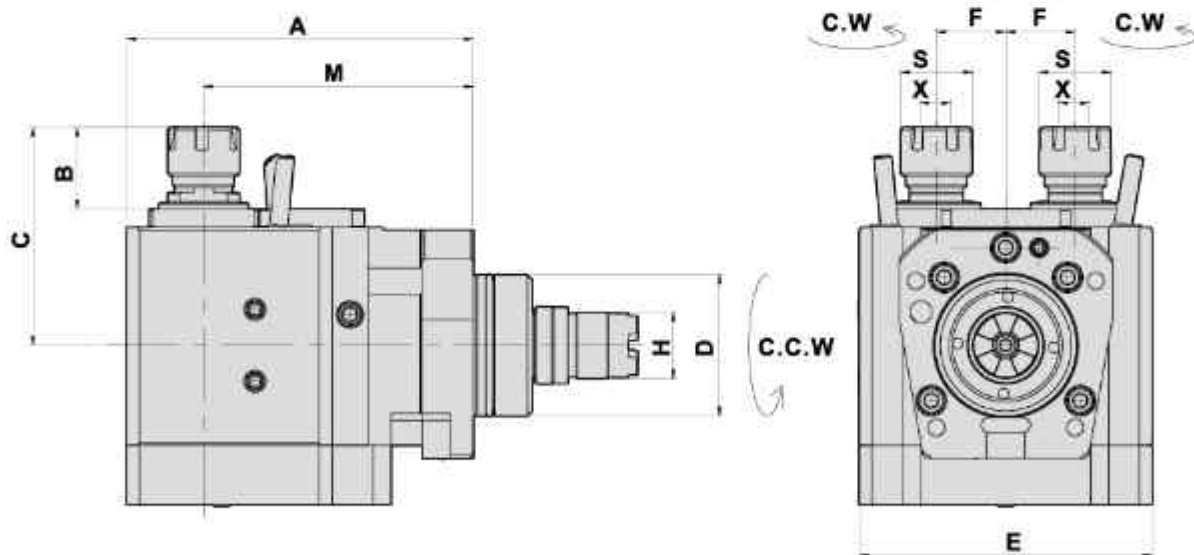
- To be used for collet DIN 6499
- External coolant supply
- Collet is not included

#### DIMENSIONS

Models	D	X Capacity	S	Maximum R.P.M.	A	B	C	E	F	G	H	I	Code No.	Order No.	(Kg) Weight
A-12	55	1-10 ER16	28	6000	103	27	24	100	84	50	25.8	42	155DCC-000	DA55WA-16DY	4.6

## RADIAL MILLING AND DRILLING HEAD

### 徑向鑽銑刀座 (90°)



- To be used for collet DIN 6499
- External coolant supply
- Collet is not included

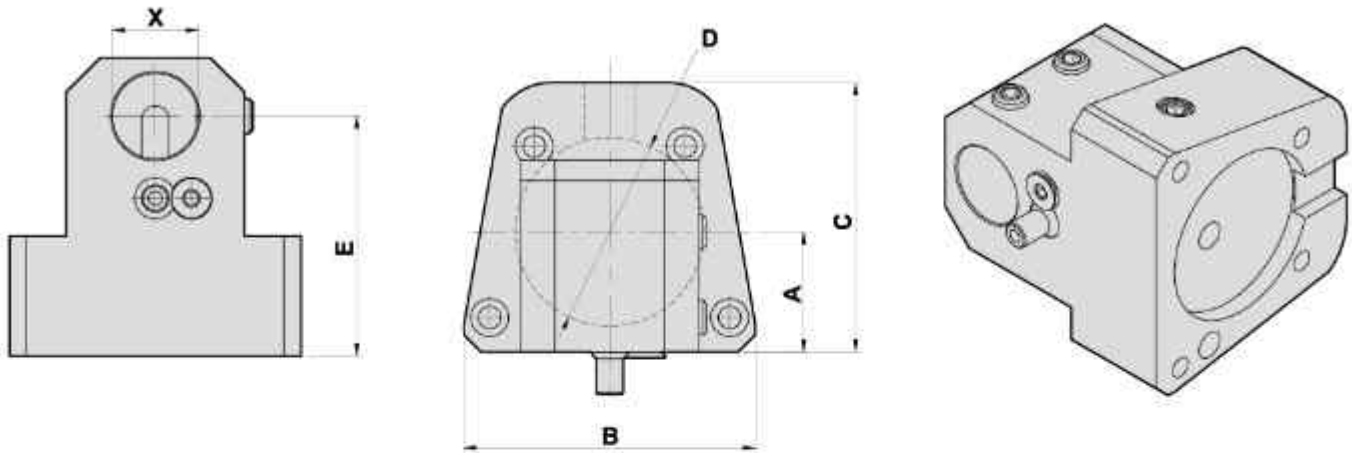
#### DIMENSIONS

Models	D	X Capacity	S	Maximum R.P.M.	A	B	C	E	F	H	M	Code No.	Order No.	(Kg) Weight
A-12	55	1-13 ER20	28	5000	135	32	85	114	27	25.8	105	255DCC-000	DF55WA-20M-105DY	10.4

## BORING BAR HOLDER

TYPE WASINO A12

### 内孔刀座



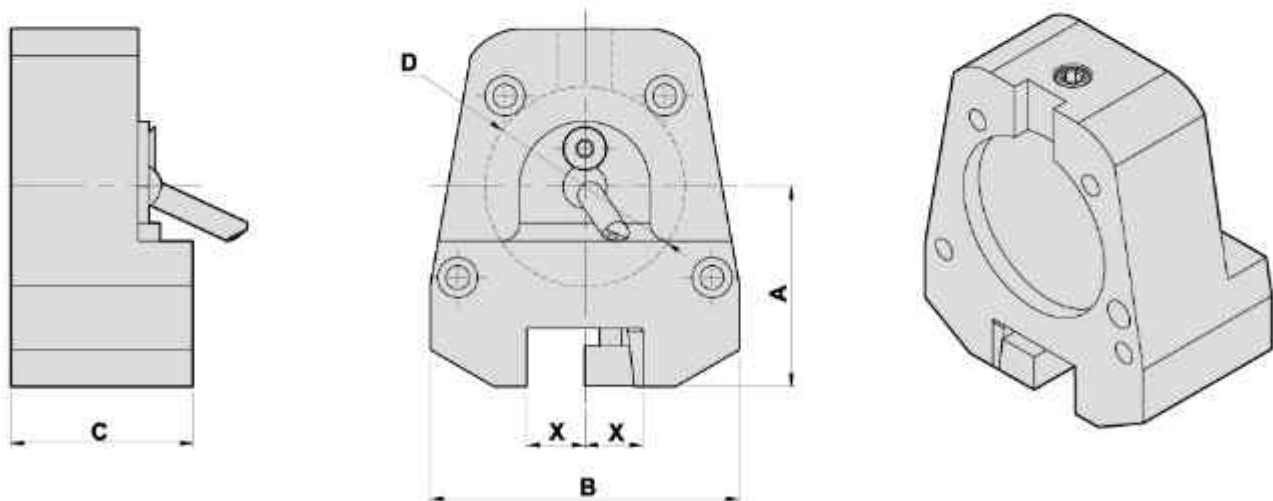
#### DIMENSIONS

● External, internal coolant supply

Models	D	X	A	B	C	E	Code No.	Order No.	(Kg) Weight
A-12	55	25	35	85	78.5	70	306071-000	A12-B25	2.3
	55	25.4	35	85	78.5	70	3F1071-000	A12-B25.4	2.3
	55	32	35	85	78.5	70	307071-000	A12-B32	2.3

## TURNING HOLDER

### 外徑刀座



#### DIMENSIONS

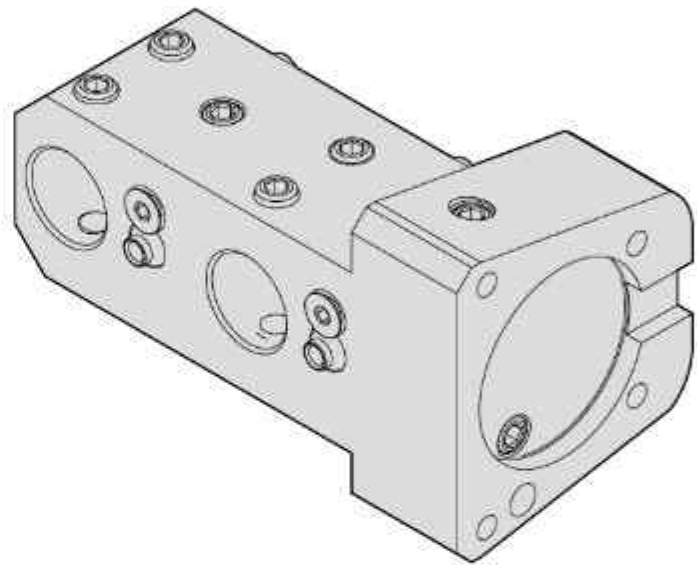
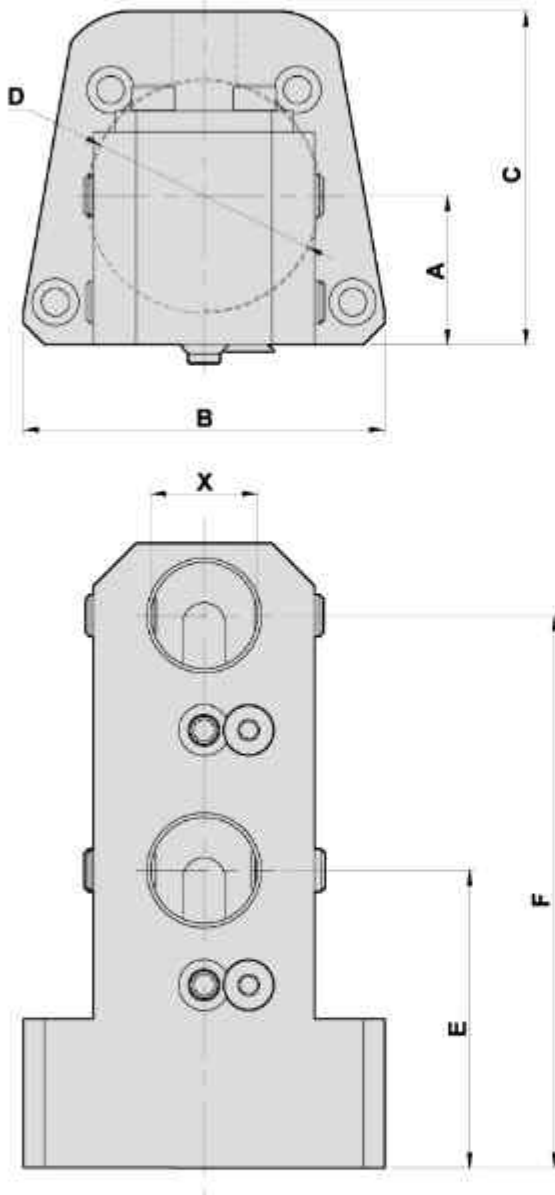
● External coolant supply

Models	D	X	A	B	C	Code No.	Order No.	(Kg) Weight
A-12	55	16	55	85	50	404071-000	A12-T16	2
	55	20	57	85	50	405071-000	A12-T20	2
	55	25	60	85	50	406071-000	A12-T25	2

## DOUBLE BORING BAR HOLDER

TYPE WASINO A12

### 雙內孔刀座



#### DIMENSIONS

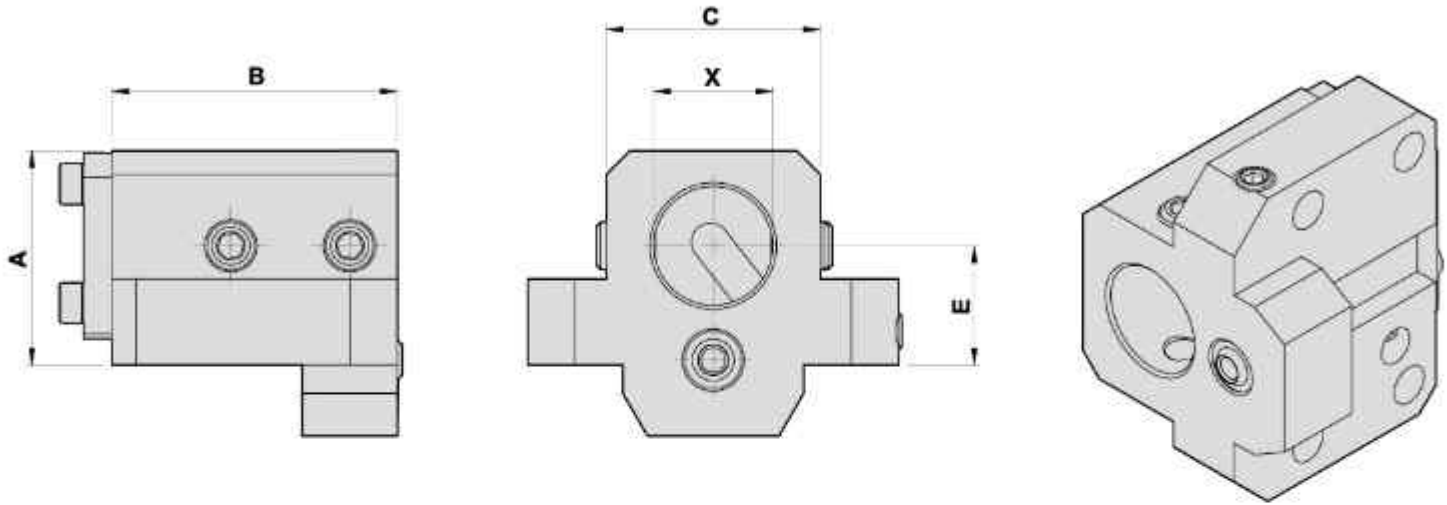
• External, internal coolant supply

Models	D	X	A	B	C	E	F	Code No.	Order No.	(Kg) Weight
A-12	55	16	35	85	78.5	70	130	304071-000	A12-B16X2	3.5
	55	25	35	85	78.5	70	130	306072-000	A12-B25X2	3.3

**BORING BAR HOLDER**

TYPE WASINO J1

内孔刀座



**DIMENSIONS**

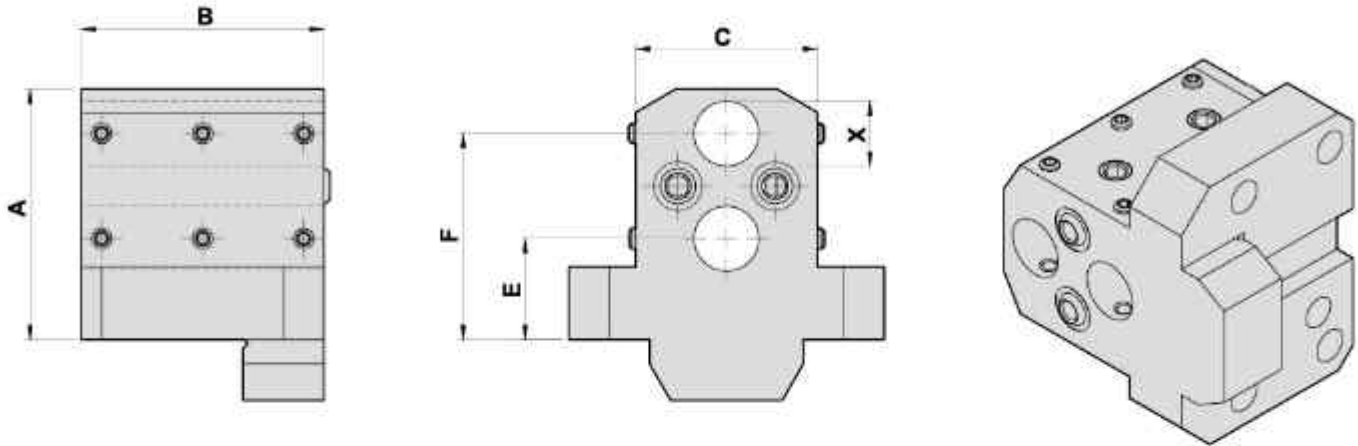
● External, internal coolant supply

Models	X	A	B	C	E	Code No.	Order No.	(Kg) Weight
J-1	25	45	60	45	25	306073-000	J1-B25	1.1
J-1	25.4	45.5	60	45	25	3F1072-000	J1-B25.4	1.1

## DOUBLE BORING BAR HOLDER

TYPE WASINO J1

### 雙內孔刀座



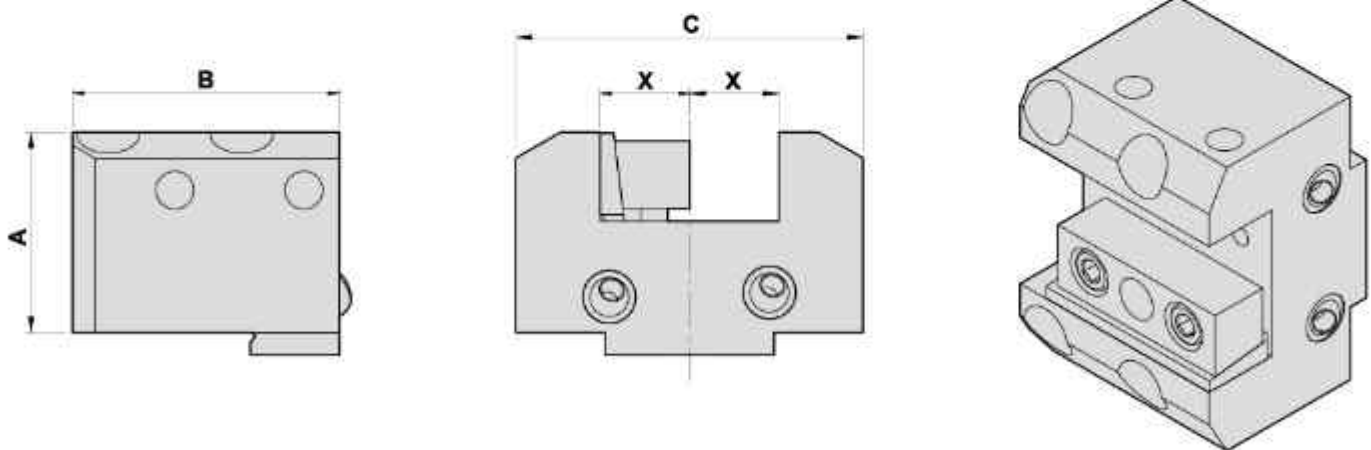
#### DIMENSIONS

• External, internal coolant supply

Models	X	A	B	C	E	F	Code No.	Order No.	(Kg) Weight
J-1	16	62	60	45	25	51	304072-000	J1-B16x2	1.4

## FACING HOLDER

### 端面刀座



#### DIMENSIONS

• External coolant supply

Models	X	A	B	C	Code No.	Order No.	(Kg) Weight
J-1	20	45	60	78	505072-000	J1-F20	1.1